

Solid Spherical Bearings

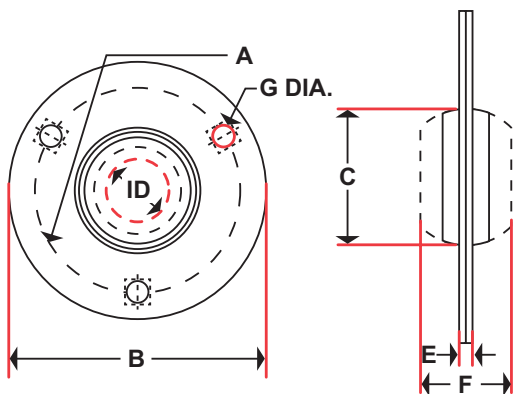
Part No.	ID Range	Sphere OD
WA27-†‡	1/2 to 1	1 ¹¹ / ₁₆
WA32-†‡	3/4 to 1 ¹ / ₄	2
WA40-†‡	1 to 1 ³ / ₄	2 ¹ / ₂
WA40m-†‡	1/2 to 7/8	40mm (1.575")
WA47m-†‡	3/4 to 1	47mm (1.850")
WA52m-†‡	13/16 to 1 ¹ / ₈	52mm (2.047")
WA62m-†‡	1 ¹ / ₁₆ to 1 ¹ / ₂	62mm (2.441")
WA72m-†‡	1 ¹ / ₄ to 2	72mm (2.835")
WA80m-†‡	1 ¹ / ₂ to 1 ⁷ / ₈	80mm (3.150")
WA85m-†‡	1 ⁵ / ₈ to 2	85mm (3.346")
WA90m-†‡	1 ¹³ / ₁₆ to 2 ¹ / ₄	90mm (3.543")
WA100-†‡	2 to 2 ¹ / ₂	100mm (3.937")

Replacement Spherical Bearings

† Specify shaft Diameter expressed in 16ths (Ex: 1/2=8, 3/4=12, etc.)
‡ Add "M" to end of part number if application is wet or moist.

Split Spherical Bearings

Part No.	ID Range	Sphere OD
WAS27-†‡	1/2 to 1	1 ¹¹ / ₁₆
WAS32-†‡	3/4 to 1 ¹ / ₄	2
WAS40-†‡	1 to 1 ³ / ₄	2 ¹ / ₂
WAS40m-†‡	1/2 to 7/8	40mm (1.575")
WAS47m-†‡	3/4 to 1	47mm (1.850")
WAS52m-†‡	13/16 to 1 ¹ / ₈	52mm (2.047")
WAS62m-†‡	1 ¹ / ₁₆ to 1 ¹ / ₂	62mm (2.441")
WAS72m-†‡	1 ¹ / ₄ to 2	72mm (2.835")
WAS80m-†‡	1 ¹ / ₂ to 1 ⁷ / ₈	80mm (3.150")
WAS85m-†‡	1 ⁵ / ₈ to 2	85mm (3.346")
WAS90m-†‡	1 ¹³ / ₁₆ to 2 ¹ / ₄	90mm (3.543")
WAS100-†‡	2 to 2 ¹ / ₂	100mm (3.937")



Center Flange Mounted Spherical Bearings

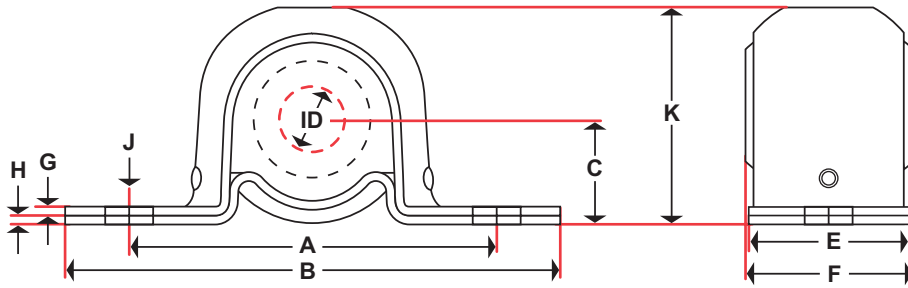
† Specify shaft Diameter expressed in 16ths (Ex: 1/2=8, 3/4=12, etc.)
‡ Add "M" to end of part number if application is wet or moist.

Part No.	A	B	C	E	F	G	Sphere OD	ID Range
CKW-†‡	1 ³ / ₄	2 ³ / ₈	1 ¹ / ₈	1/8	1/2	17/64 Rd.	1	1/4 to 5/8
CBW-†‡	2 ³ / ₄	3 ¹ / ₂	1 ¹³ / ₁₆	1/8	1 ¹ / ₄	9/32 Rd.	1 ¹¹ / ₁₆	3/2 to 1
EEW-†‡	3	3 ³ / ₄	2 ³ / ₁₆	5/32	1 ¹ / ₂	11/32 Sq.	2	3/4 to 1 ¹ / ₄
EFW-†‡	3 ⁹ / ₁₆	4 ⁷ / ₁₆	2 ¹¹ / ₁₆	5/32	1 ³ / ₄	13/32 Sq.	2 ¹ / ₂	1 to 1 ³ / ₄

WOODEX Bearing Company, Inc.

216 Bay Point Road
Georgetown, ME 04548 USA
800 526 8800 toll-free in North America or
+1 207 371 2210 • Fax: +1 207 371 2169
Email: sales@woodex-meco.com



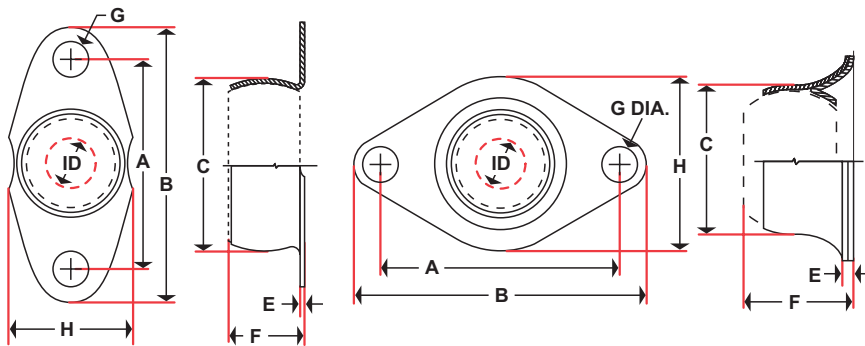


Pillow Block Mounted Spherical Bearings

† Specify shaft Diameter expressed in 16ths
(Ex: 1/2=8, 3/4=12, etc.)

‡ Add "M" to end of part number if application is wet or moist.

Part No.	Mount Weight	A	B	C	E	F	G	H	J (Slot)	K	Sphere OD	ID Range
BDW-†‡	Miniature	1 ³ / ₄	2 ¹⁵ / ₁₆	9 ¹ / ₁₆	7 ¹ / ₁₆	1 ¹ / ₂	1 ¹ / ₁₆	1 ¹ / ₁₆	17 ¹ / ₆₄ x 5 ¹ / ₁₆	1 ¹ / ₈	1	1 ¹ / ₄ to 5 ¹ / ₈
BBW-†‡	Standard	2 ⁷ / ₈	3 ¹⁵ / ₁₆	29 ¹ / ₃₂	1 ¹ / ₈	1 ¹ / ₄	1 ¹ / ₁₆	1 ¹ / ₁₆	21 ¹ / ₆₄ x 21 ¹ / ₃₂	1 ³ / ₄	1 ¹¹ / ₁₆	1 ¹ / ₂ to 1
BCW-†‡	Standard	3 ¹ / ₄	4 ⁹ / ₁₆	1 ¹ / ₁₆	1 ⁵ / ₁₆	1 ¹ / ₂	1 ¹ / ₁₆	1 ¹ / ₁₆	25 ¹ / ₆₄ x 5 ¹ / ₈	2 ¹ / ₁₆	2	3 ³ / ₄ to 1 ¹ / ₄
BEW-†‡	Heavy	2 ³¹ / ₃₂	4 ¹ / ₃₂	15 ¹ / ₁₆	1 ¹ / ₈	1 ¹ / ₄	3 ¹ / ₃₂	3 ¹ / ₃₂	21 ¹ / ₆₄ x 21 ¹ / ₃₂	1 ¹³ / ₁₆	1 ¹¹ / ₁₆	1 ¹ / ₂ to 1
BFW-†‡	Heavy	3 ²¹ / ₆₄	4 ⁵ / ₈	1 ³ / ₃₂	1 ⁵ / ₁₆	1 ¹ / ₂	3 ¹ / ₃₂	3 ¹ / ₃₂	25 ¹ / ₆₄ x 19 ¹ / ₃₂	2 ¹ / ₈	2	3 ³ / ₄ to 1 ¹ / ₄
BKW-†‡	Extra Heavy	3 ⁷ / ₈	5 ⁷ / ₁₆	1 ¹¹ / ₃₂	1 ⁷ / ₁₆	1 ³ / ₄	1 ¹ / ₈	3 ¹ / ₃₂	21 ¹ / ₆₄ x 25 ¹ / ₃₂	2 ¹¹ / ₁₆	2 ¹ / ₂	1 to 1 ³ / ₄

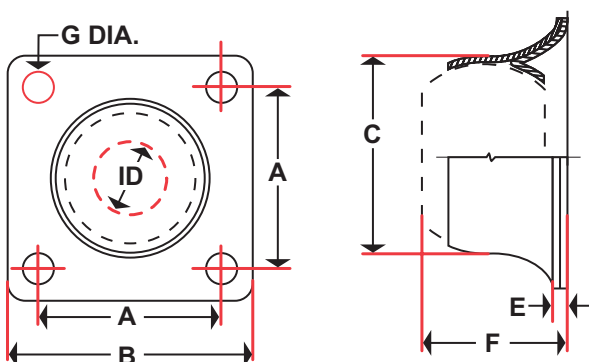


2-Bolt Side Flange Mounted Spherical Bearings

† Specify shaft Diameter expressed in 16ths
(Ex: 1/2=8, 3/4=12, etc.)

‡ Add "M" to end of part number if application is wet or moist.

Part No.	A	B	C	E	F	G	H	Sphere OD	ID Range
FMW-†‡	1 ³ / ₄	2 ⁵ / ₁₆	1 ¹ / ₈	1 ¹ / ₁₆	9 ¹ / ₁₆	9 ¹ / ₃₂	1 ¹ / ₈	1	1 ¹ / ₄ to 5 ¹ / ₈
FAW-†‡	2 ³ / ₄	3 ³ / ₈	1 ¹³ / ₁₆	1 ¹ / ₈	1 ¹³ / ₃₂	21 ¹ / ₆₄	2 ⁷ / ₁₆	1 ¹¹ / ₁₆	1 ¹ / ₂ to 1
FBW-†‡	3 ⁹ / ₃₂	4	2 ⁵ / ₃₂	9 ¹ / ₆₄	1 ⁹ / ₁₆	13 ¹ / ₃₂	2 ³ / ₄	2	3 ³ / ₄ to 1 ¹ / ₄



4-Bolt Side Flange Mounted Spherical Bearings

† Specify shaft Diameter expressed in 16ths (Ex: 1/2=8, 3/4=12, etc.)

‡ Add "M" to end of part number if application is wet or moist.

Part No.	A	B	C	E	F	G	Sphere OD	ID Range
FDW-†‡	1 ⁵ / ₁₆	2 ⁷ / ₁₆	1 ¹³ / ₁₆	1 ¹ / ₈	1 ¹³ / ₃₂	17 ¹ / ₆₄	1 ¹¹ / ₁₆	1 ¹ / ₂ to 1
FEW-†‡	2 ⁵ / ₁₆	3	2 ⁵ / ₃₂	9 ¹ / ₆₄	1 ⁹ / ₁₆	13 ¹ / ₃₂	2	3 ³ / ₄ to 1 ¹ / ₄
FFW-†‡	2 ³ / ₄	3 ⁵ / ₈	2 ¹¹ / ₁₆	1 ¹¹ / ₆₄	1 ¹³ / ₁₆	13 ¹ / ₃₂	2 ¹ / ₂	1 to 1 ³ / ₄

WOODEX Bearing Company, Inc.

216 Bay Point Road
Georgetown, ME 04548 USA
800 526 8800 toll-free in North America or
+1 207 371 2210 • Fax: +1 207 371 2169
Email: sales@woodex-meco.com

