

### Solid Spherical Bearings

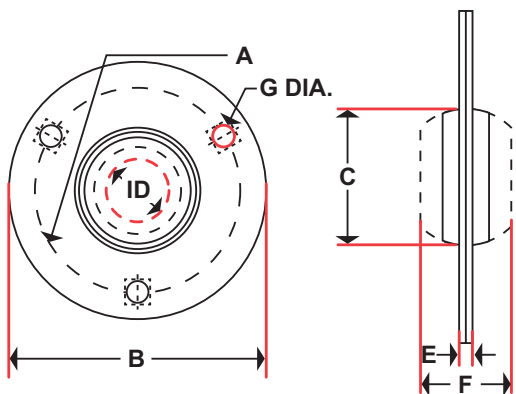
### Replacement Spherical Bearings

† Specify shaft Diameter expressed in 16ths (Ex: 1/2=8, 3/4=12, etc.)  
‡ Add "M" to end of part number if application is wet or moist.

Part No.	ID Range	Sphere OD
WA27-†‡	1/2 to 1	1 <sup>11</sup> / <sub>16</sub>
WA32-†‡	3/4 to 1 <sup>1</sup> / <sub>4</sub>	2
WA40-†‡	1 to 1 <sup>3</sup> / <sub>4</sub>	2 <sup>1</sup> / <sub>2</sub>
WA40m-†‡	1/2 to 7/8	40mm (1.575")
WA47m-†‡	3/4 to 1	47mm (1.850")
WA52m-†‡	1 <sup>3</sup> / <sub>16</sub> to 1 <sup>1</sup> / <sub>8</sub>	52mm (2.047")
WA62m-†‡	1 <sup>1</sup> / <sub>16</sub> to 1 <sup>1</sup> / <sub>2</sub>	62mm (2.441")
WA72m-†‡	1 <sup>1</sup> / <sub>4</sub> to 2	72mm (2.835")
WA80m-†‡	1 <sup>1</sup> / <sub>2</sub> to 1 <sup>7</sup> / <sub>8</sub>	80mm (3.150")
WA85m-†‡	1 <sup>5</sup> / <sub>8</sub> to 2	85mm (3.346")
WA90m-†‡	1 <sup>13</sup> / <sub>16</sub> to 2 <sup>1</sup> / <sub>4</sub>	90mm (3.543")

### Split Spherical Bearings

Part No.	ID Range	Sphere OD
WAS27-†‡	1/2 to 1	1 <sup>11</sup> / <sub>16</sub>
WAS32-†‡	3/4 to 1 <sup>1</sup> / <sub>4</sub>	2
WAS40-†‡	1 to 1 <sup>3</sup> / <sub>4</sub>	2 <sup>1</sup> / <sub>2</sub>
WAS40m-†‡	1/2 to 7/8	40mm (1.575")
WAS47m-†‡	3/4 to 1	47mm (1.850")
WAS52m-†‡	1 <sup>3</sup> / <sub>16</sub> to 1 <sup>1</sup> / <sub>8</sub>	52mm (2.047")
WAS62m-†‡	1 <sup>1</sup> / <sub>16</sub> to 1 <sup>1</sup> / <sub>2</sub>	62mm (2.441")
WAS72m-†‡	1 <sup>1</sup> / <sub>4</sub> to 2	72mm (2.835")
WAS80m-†‡	1 <sup>1</sup> / <sub>2</sub> to 1 <sup>7</sup> / <sub>8</sub>	80mm (3.150")
WAS85m-†‡	1 <sup>5</sup> / <sub>8</sub> to 2	85mm (3.346")
WAS90m-†‡	1 <sup>13</sup> / <sub>16</sub> to 2 <sup>1</sup> / <sub>4</sub>	90mm (3.543")



### Center Flange Mounted Spherical Bearings

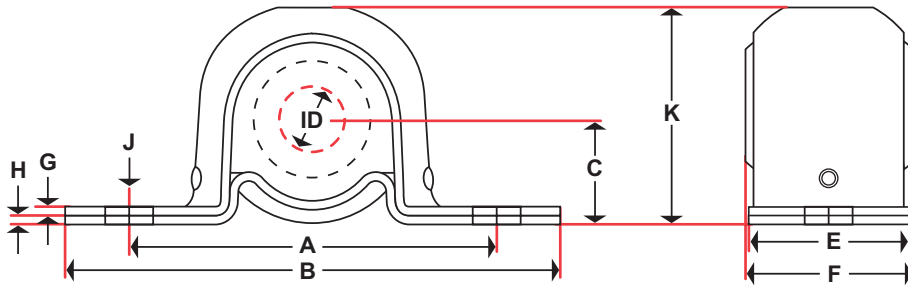
† Specify shaft Diameter expressed in 16ths (Ex: 1/2=8, 3/4=12, etc.)  
‡ Add "M" to end of part number if application is wet or moist.

Part No.	A	B	C	E	F	G	Sphere OD	ID Range
CKW-†‡	1 <sup>3</sup> / <sub>4</sub>	2 <sup>3</sup> / <sub>8</sub>	1 <sup>1</sup> / <sub>8</sub>	1/8	1/2	17/64 Rd.	1	1/4 to 5/8
CBW-†‡	2 <sup>3</sup> / <sub>4</sub>	3 <sup>1</sup> / <sub>2</sub>	1 <sup>13</sup> / <sub>16</sub>	1/8	1 <sup>1</sup> / <sub>4</sub>	9/32 Rd.	1 <sup>11</sup> / <sub>16</sub>	3/2 to 1
EEW-†‡	3	3 <sup>3</sup> / <sub>4</sub>	2 <sup>3</sup> / <sub>16</sub>	5/32	1 <sup>1</sup> / <sub>2</sub>	11/32 Sq.	2	3/4 to 1 <sup>1</sup> / <sub>4</sub>
EFW-†‡	3 <sup>9</sup> / <sub>16</sub>	4 <sup>7</sup> / <sub>16</sub>	2 <sup>11</sup> / <sub>16</sub>	5/32	1 <sup>3</sup> / <sub>4</sub>	13/32 Sq.	2 <sup>1</sup> / <sub>2</sub>	1 to 1 <sup>3</sup> / <sub>4</sub>

**WOODEX** Bearing Company, Inc.

216 Bay Point Road  
Georgetown, ME 04548 USA  
800 526 8800 toll-free in North America or  
+1 207 371 2210 • Fax: +1 207 371 2169  
Email: sales@woodex-meco.com



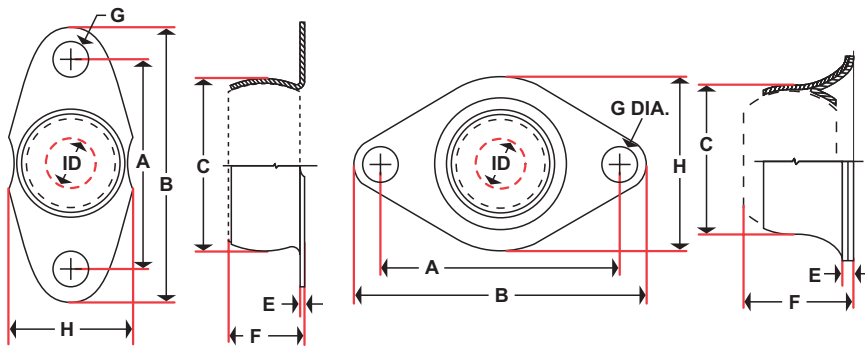


## Pillow Block Mounted Spherical Bearings

† Specify shaft Diameter expressed in 16ths  
(Ex: 1/2=8, 3/4=12, etc.)

‡ Add "M" to end of part number if application is wet or moist.

Part No.	Mount Weight	A	B	C	E	F	G	H	J (Slot)	K	Sphere OD	ID Range
BDW-††	Miniature	1 <sup>3</sup> / <sub>4</sub>	2 <sup>15</sup> / <sub>16</sub>	9 <sup>1</sup> / <sub>16</sub>	7 <sup>1</sup> / <sub>16</sub>	1 <sup>1</sup> / <sub>2</sub>	1 <sup>1</sup> / <sub>16</sub>	1 <sup>1</sup> / <sub>16</sub>	17 <sup>1</sup> / <sub>64</sub> x 5 <sup>1</sup> / <sub>16</sub>	1 <sup>1</sup> / <sub>8</sub>	1	1 <sup>1</sup> / <sub>4</sub> to 5 <sup>1</sup> / <sub>8</sub>
BBW-††	Standard	2 <sup>7</sup> / <sub>8</sub>	3 <sup>15</sup> / <sub>16</sub>	29 <sup>1</sup> / <sub>32</sub>	1 <sup>1</sup> / <sub>8</sub>	1 <sup>1</sup> / <sub>4</sub>	1 <sup>1</sup> / <sub>16</sub>	1 <sup>1</sup> / <sub>16</sub>	21 <sup>1</sup> / <sub>64</sub> x 21 <sup>1</sup> / <sub>32</sub>	1 <sup>3</sup> / <sub>4</sub>	1 <sup>11</sup> / <sub>16</sub>	1 <sup>1</sup> / <sub>2</sub> to 1
BCW-††	Standard	3 <sup>1</sup> / <sub>4</sub>	4 <sup>9</sup> / <sub>16</sub>	1 <sup>1</sup> / <sub>16</sub>	1 <sup>5</sup> / <sub>16</sub>	1 <sup>1</sup> / <sub>2</sub>	1 <sup>1</sup> / <sub>16</sub>	1 <sup>1</sup> / <sub>16</sub>	25 <sup>1</sup> / <sub>64</sub> x 5 <sup>1</sup> / <sub>8</sub>	2 <sup>1</sup> / <sub>16</sub>	2	3 <sup>3</sup> / <sub>4</sub> to 1 <sup>1</sup> / <sub>4</sub>
BEW-††	Heavy	2 <sup>31</sup> / <sub>32</sub>	4 <sup>1</sup> / <sub>32</sub>	15 <sup>1</sup> / <sub>16</sub>	1 <sup>1</sup> / <sub>8</sub>	1 <sup>1</sup> / <sub>4</sub>	3 <sup>1</sup> / <sub>32</sub>	3 <sup>1</sup> / <sub>32</sub>	21 <sup>1</sup> / <sub>64</sub> x 21 <sup>1</sup> / <sub>32</sub>	1 <sup>13</sup> / <sub>16</sub>	1 <sup>11</sup> / <sub>16</sub>	1 <sup>1</sup> / <sub>2</sub> to 1
BFW-††	Heavy	3 <sup>21</sup> / <sub>64</sub>	4 <sup>5</sup> / <sub>8</sub>	1 <sup>3</sup> / <sub>32</sub>	1 <sup>5</sup> / <sub>16</sub>	1 <sup>1</sup> / <sub>2</sub>	3 <sup>1</sup> / <sub>32</sub>	3 <sup>1</sup> / <sub>32</sub>	25 <sup>1</sup> / <sub>64</sub> x 19 <sup>1</sup> / <sub>32</sub>	2 <sup>1</sup> / <sub>8</sub>	2	3 <sup>3</sup> / <sub>4</sub> to 1 <sup>1</sup> / <sub>4</sub>
BKW-††	Extra Heavy	3 <sup>7</sup> / <sub>8</sub>	5 <sup>7</sup> / <sub>16</sub>	1 <sup>11</sup> / <sub>32</sub>	1 <sup>7</sup> / <sub>16</sub>	1 <sup>3</sup> / <sub>4</sub>	1 <sup>1</sup> / <sub>8</sub>	3 <sup>1</sup> / <sub>32</sub>	21 <sup>1</sup> / <sub>64</sub> x 25 <sup>1</sup> / <sub>32</sub>	2 <sup>11</sup> / <sub>16</sub>	2 <sup>1</sup> / <sub>2</sub>	1 to 1 <sup>3</sup> / <sub>4</sub>

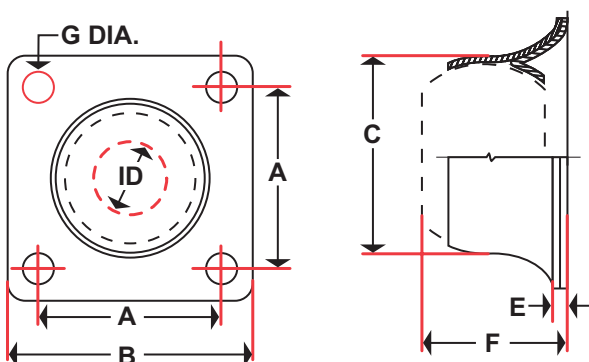


## 2-Bolt Side Flange Mounted Spherical Bearings

† Specify shaft Diameter expressed in 16ths  
(Ex: 1/2=8, 3/4=12, etc.)

‡ Add "M" to end of part number if application is wet or moist.

Part No.	A	B	C	E	F	G	H	Sphere OD	ID Range
FMW-††	1 <sup>3</sup> / <sub>4</sub>	2 <sup>5</sup> / <sub>16</sub>	1 <sup>1</sup> / <sub>8</sub>	1 <sup>1</sup> / <sub>16</sub>	9 <sup>1</sup> / <sub>16</sub>	9 <sup>1</sup> / <sub>32</sub>	1 <sup>1</sup> / <sub>8</sub>	1	1 <sup>1</sup> / <sub>4</sub> to 5 <sup>1</sup> / <sub>8</sub>
FAW-††	2 <sup>3</sup> / <sub>4</sub>	3 <sup>3</sup> / <sub>8</sub>	1 <sup>13</sup> / <sub>16</sub>	1 <sup>1</sup> / <sub>8</sub>	1 <sup>13</sup> / <sub>32</sub>	21 <sup>1</sup> / <sub>64</sub>	2 <sup>7</sup> / <sub>16</sub>	1 <sup>11</sup> / <sub>16</sub>	1 <sup>1</sup> / <sub>2</sub> to 1
FBW-††	3 <sup>9</sup> / <sub>32</sub>	4	2 <sup>5</sup> / <sub>32</sub>	9 <sup>1</sup> / <sub>64</sub>	1 <sup>9</sup> / <sub>16</sub>	13 <sup>1</sup> / <sub>32</sub>	2 <sup>3</sup> / <sub>4</sub>	2	3 <sup>3</sup> / <sub>4</sub> to 1 <sup>1</sup> / <sub>4</sub>



## 4-Bolt Side Flange Mounted Spherical Bearings

† Specify shaft Diameter expressed in 16ths (Ex: 1/2=8, 3/4=12, etc.)

‡ Add "M" to end of part number if application is wet or moist.

Part No.	A	B	C	E	F	G	Sphere OD	ID Range
FDW-††	1 <sup>5</sup> / <sub>16</sub>	2 <sup>7</sup> / <sub>16</sub>	1 <sup>13</sup> / <sub>16</sub>	1 <sup>1</sup> / <sub>8</sub>	1 <sup>13</sup> / <sub>32</sub>	17 <sup>1</sup> / <sub>64</sub>	1 <sup>11</sup> / <sub>16</sub>	1 <sup>1</sup> / <sub>2</sub> to 1
FEW-††	2 <sup>5</sup> / <sub>16</sub>	3	2 <sup>5</sup> / <sub>32</sub>	9 <sup>1</sup> / <sub>64</sub>	1 <sup>9</sup> / <sub>16</sub>	13 <sup>1</sup> / <sub>32</sub>	2	3 <sup>3</sup> / <sub>4</sub> to 1 <sup>1</sup> / <sub>4</sub>
FFW-††	2 <sup>3</sup> / <sub>4</sub>	3 <sup>5</sup> / <sub>8</sub>	2 <sup>11</sup> / <sub>16</sub>	1 <sup>11</sup> / <sub>64</sub>	1 <sup>13</sup> / <sub>16</sub>	13 <sup>1</sup> / <sub>32</sub>	2 <sup>1</sup> / <sub>2</sub>	1 to 1 <sup>3</sup> / <sub>4</sub>

**WOODEX** Bearing Company, Inc.

216 Bay Point Road  
Georgetown, ME 04548 USA  
800 526 8800 toll-free in North America or  
+1 207 371 2210 • Fax: +1 207 371 2169  
Email: sales@woodex-meco.com

